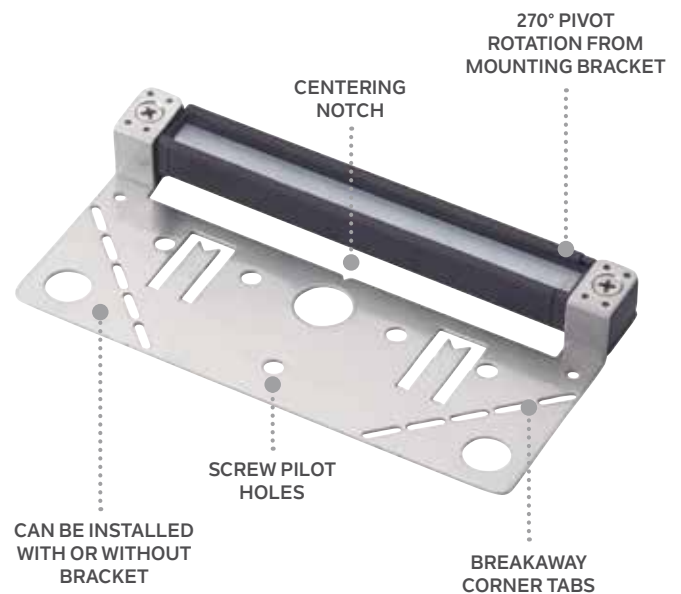




## 12V Integrated LED Hardscape

Delivering rotation flexibility exactly where you need it.

Our new design offers pivot rotation, enhanced optical lens for uniform light and expanded versatile installation for more creative layout options. The 12V Integrated LED Hardscape is ideal for illuminating retaining walls and adding safety to outdoor areas such as outdoor kitchens and steps.



### 12V Integrated LED Hardscape Lights offer versatile installation options for new and retrofit applications.



**Sealed and fully encapsulated** to safeguard from water ingress and the outdoor elements – helping to extend the life of the product.



**Versatile IP67 rated** design provides a dust-tight housing that can be protected against temporary water submersion.



**Adjustable fixture** can pivot 180° for direct to surface install and pivot 270° when installed with mounting bracket. Usable range is installation dependent.

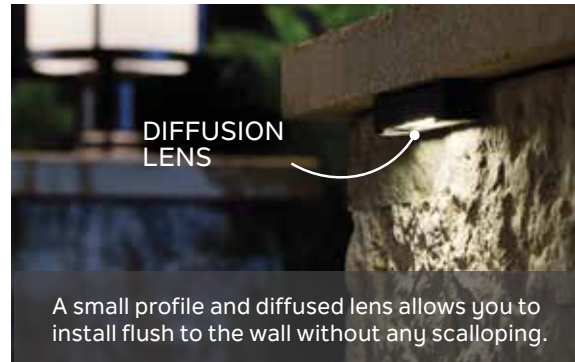
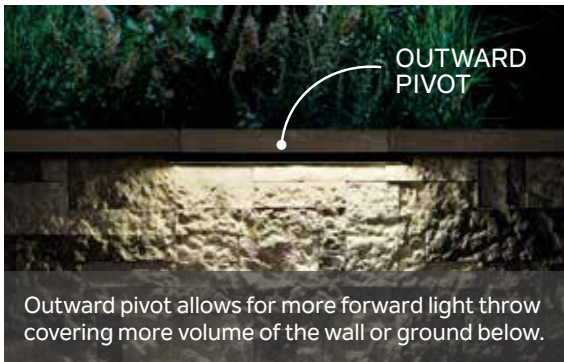


**2,000-volt fixture surge protection** protects against power surges and irregularities.

**KICHLER**

## PRODUCT ORDERING GUIDE

|  |  |   |  |
|--|--|---|--|
| <p>Ordering Guide<br/>(product number<br/>breakdown)</p> <p><i>Example:</i> 16101 CBR 30</p> | <p><b>1 Item Number<br/>for Fixture Size:</b></p> <p>16100 = 3.5" Hardscape<br/>16101 = 6" Hardscape<br/>16102 = 12" Hardscape<br/>16103 = 18" Hardscape</p> <p style="text-align: center;"><u>1</u> <u>6</u> <u>1</u> <u>0</u> <u>1</u></p> | <p><b>2 Product<br/>Finish:</b></p> <p>AZT = Textured Architectural Bronze<br/>BKT = Textured Black<br/>CBR = Centennial Brass<br/>GRY = Textured Gray<br/>SD = Textured Sand</p> <p style="text-align: center;"><u>C</u> <u>B</u> <u>R</u></p> | <p><b>3 Color<br/>Temperature:</b></p> <p>27 = 2700K, Warm White<br/>30 = 3000K, Pure White</p> <p style="text-align: center;"><u>3</u> <u>0</u></p> |
|--|--|---|--|



## PHOTOMETRICS

|              |       | 16100 - 3.5" Hardscape        |      |       |       |       |       |
|--------------|-------|-------------------------------|------|-------|-------|-------|-------|
|              |       | Lateral distance from fixture |      |       |       |       |       |
| Foot-candles |       | Mounting Height               | 0    | 1 ft. | 2 ft. | 3 ft. | 4 ft. |
|              | 6 in. | 17.96                         | 0.44 | 0.01  | 0.00  | 0.00  |       |
|              | 1 ft. | 4.49                          | 1.14 | 0.11  | 0.01  | 0.02  |       |
|              | 2 ft. | 1.12                          | 0.76 | 0.28  | 0.09  | 0.03  |       |
|              | 3 ft. | 0.50                          | 0.42 | 0.25  | 0.13  | 0.06  |       |

|              |       | 16101 - 6" Hardscape          |      |       |       |       |       |
|--------------|-------|-------------------------------|------|-------|-------|-------|-------|
|              |       | Lateral distance from fixture |      |       |       |       |       |
| Foot-candles |       | Mounting Height               | 0    | 1 ft. | 2 ft. | 3 ft. | 4 ft. |
|              | 6 in. | 72.60                         | 0.88 | 0.00  | 0.00  | 0.00  |       |
|              | 1 ft. | 18.15                         | 3.78 | 0.22  | 0.01  | 0.03  |       |
|              | 2 ft. | 4.54                          | 2.88 | 0.94  | 0.23  | 0.05  |       |
|              | 3 ft. | 2.02                          | 1.65 | 0.93  | 0.42  | 0.16  |       |

|              |       | 16102 - 12" Hardscape         |      |       |       |       |       |
|--------------|-------|-------------------------------|------|-------|-------|-------|-------|
|              |       | Lateral distance from fixture |      |       |       |       |       |
| Foot-candles |       | Mounting Height               | 0    | 1 ft. | 2 ft. | 3 ft. | 4 ft. |
|              | 6 in. | 143.2                         | 2.68 | 0.02  | 0.00  | 0.00  |       |
|              | 1 ft. | 35.81                         | 8.31 | 0.67  | 0.06  | 0.11  |       |
|              | 2 ft. | 8.95                          | 5.86 | 2.08  | 0.58  | 0.17  |       |
|              | 3 ft. | 3.98                          | 3.29 | 1.93  | 0.92  | 0.39  |       |

|              |       | 16103 - 18" Hardscape         |       |       |       |       |       |
|--------------|-------|-------------------------------|-------|-------|-------|-------|-------|
|              |       | Lateral distance from fixture |       |       |       |       |       |
| Foot-candles |       | Mounting Height               | 0     | 1 ft. | 2 ft. | 3 ft. | 4 ft. |
|              | 6 in. | 216.4                         | 3.25  | 0.01  | 0.00  | 0.00  |       |
|              | 1 ft. | 54.10                         | 12.28 | 0.81  | 0.05  | 0.13  |       |
|              | 2 ft. | 13.53                         | 8.88  | 3.07  | 0.79  | 0.20  |       |
|              | 3 ft. | 6.01                          | 4.99  | 2.90  | 1.36  | 0.56  |       |

Foot-candles 108° Beam Angle

## GENERAL FIXTURE SPACING GUIDELINE

| Item                   | 16100 (3.5")  | 16101 (6") | 16102 (12") | 16103 (18") |
|------------------------|---|------------|-------------|-------------|
| <b>Mounting Height</b> | <b>Recommended Spacing (center-to-center of fixtures)</b> |            |             |             |
| 6"-18"                 | 3'-4'   | 4'-5'      | 6'-8'       | 6'-8'       |
| 24"                    | 3'-4'   | 4'-5'      | 6'-8'       | 6'-8'       |
| 36"                    | 3'-4'   | 4'-6'      | 6'-8'       | 6'-8'       |
| 48"                    | 3'-4'   | 4'-6'      | 6'-8'       | 6'-8'       |
| 60"                    | 3'-4'   | 4'-6'      | 6'-8'       | 6'-8'       |

Highlighted values are optimal selections for mounting height application.

Tip: Use centering notch on mounting bracket to aid in spacing layout during installation.

## DIMENSIONS



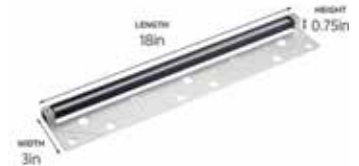
16100



16101



16102



16103

## FINISH OPTIONS



**AZT** - Textured Architectural Bronze



**BKT** - Textured Black



**CBR** - Centennial Brass



**GRY** - Textured Gray



**SD** - Textured Sand

## PERFORMANCE

|                      | 16100   | 16101   | 16102   | 16103   |
|----------------------|---------|---------|---------|---------|
| Fixture Length       | 3.5"    | 6"      | 12"     | 18"     |
| Lumen Output         | 10 lm   | 40 lm   | 85 lm   | 125 lm  |
| Input Voltage        | 9V-15V  | 9V-15V  | 9V-15V  | 9V-15V  |
| Power (VA) @ 15V AC  | 0.6VA   | 1.5VA   | 2.9VA   | 3.8VA   |
| Power (W) @ 15V DC   | 0.3W    | .9W     | 1.9W    | 2.7W    |
| Efficacy (lm/W @ DC) | 43 lm/W | 45 lm/W | 45 lm/W | 46 lm/W |

## SPECIFICATIONS

### Fixture

|                       |                     |
|-----------------------|---------------------|
| Light Source          | Integrated LED      |
| Color Temperature     | 2700K, 3000K        |
| Color Rendering Index | 80+                 |
| Beam Angle            | 108°                |
| Binning               | 3 Step              |
| Fixture can be used   | UP or DOWN position |

### Input

|                     |   |
|---------------------|---|
| Input Voltage Range | 9-15V<br>AC or DC with no<br>loss in light output |
| Input Frequency     | 47-63Hz   |
| Power Factor        | .6 @ 12V  |

### Environmental

|                                 |               |
|---------------------------------|---------------|
| Environmental Protection Rating | Wet, IP67     |
| Operation Ambient Temperature   | -25°C - +40°C |
| Expected Life Time (L70)        | 50K Hours     |

### Mechanical & Housing Specification

|                         |  |
|-------------------------|--|
| 16100                   | 3.5" L x .78" W x .75" H (without bracket) |
| 16101                   | 6" L x .78" W x .75" H (without bracket)   |
| 16102                   | 12" L x .78" W x .75" H (without bracket)  |
| 16103                   | 18" L x .78" W x .75" H (without bracket)  |
| Housing Material        | Aluminum, Brass                            |
| Housing Color & Surface | AZT, BKT, CBR, GRY, SD                     |
| 16100                   | 0.4LBS (Aluminum), 0.55LBS (Brass)         |
| 16101                   | 0.45LBS (Aluminum), 0.8LBS (Brass)         |
| 16102                   | 0.9LBS (Aluminum), 1.3LBS (Brass)          |
| 16103                   | 1.2LBS (Aluminum), 1.65LBS (Brass)         |

### Body

Aluminum, Brass casting

### Wire

18 AWG, SPT-1W, 105°C, 300V, 84" usable length.

### Optics

Custom optics with a diffused lens provides smooth, uniform light distribution to eliminate glare and hotspots.

### Included Accessories

304 Stainless Steel Masonry Bracket, Off-bracket Mounting Kit, and 2 Gel-Filled Wire Nuts.

## LOAD CHART

| Power (VA) | Wire Gauge / Length (ft/m) Load Chart |             |            |            |
|------------|---------------------------------------|-------------|------------|------------|
|            | 10 AWG                                | 12 AWG      | 14 AWG     | 16 AWG     |
| 0-20 VA    | 1860'/567 m                           | 1150'/351 m | 730'/223 m | 450'/137 m |
| 40 VA      | 930'/283 m                            | 580'/177 m  | 370'/113 m | 230'/70 m  |
| 60 VA      | 620'/189 m                            | 390'/119 m  | 240'/73 m  | 150'/46 m  |
| 80 VA      | 470'/143 m                            | 290'/88 m   | 180'/55 m  | 110'/34 m  |
| 100 VA     | 370'/113 m                            | 230'/70 m   | 140'/43 m  | 90'/27 m   |
| >100 VA    | <b>Consult Technical Support</b>      |             |            |            |

**TROUBLE SHOOTING**

|                                    |  |
|------------------------------------|--|
| <b>Fixture does not illuminate</b> | Verify power connections. Review installation guide for installation problem. Ensure manual reset breaker has not been tripped.                                  |
| <b>Fixture turns off</b>           | Verify power connections. Review installation guide for installation problems. Ensure manual reset breaker has not been tripped. Check voltage drop at fixture.  |
| <b>Fixture trips breaker</b>       | Check installation for a possible short or overload state. Isolate the identified short and replace affected fixture or remove fixture(s) installed in overload. |

**LISTING**

UL 1838 Listed. Low Voltage Landscape Lighting Systems.

CSA C22.2#250.7 Listed.

FCC Part 15, subpart B, Class B

**WARRANTY**

Backed by our 15 year limited warranty. Visit [Kichler.com/Warranty](https://www.kichler.com/Warranty) for details.

**DISCLOSURE**

1. Chip binning ranges: (2700K 80+ CRI: 3 step), (3000K 80+ CRI: 3 step). LED chip data measured in accordance to IES LM-80.
2. Fixture has a 90% confidence luminous flux range to stated 3000K CCT target. Photometric (flux and color) data has been measured in accordance to IES LM-79.
3. Actual efficacy value can be calculated as follows: Lumen value divided by average power consumption.
4. Do not extend beyond the recommended maximum run length.
5. Recommend product be installed with 10 or 12 gauge wire.
6. Recommend 80% load/20% overhead rule for fixture load planning in reference to the power source. Calculating fixture loading this way provides additional resource for fixture adjustment and loss due to voltage drop due to wire run lengths.
7. We reserve the right to modify and improve the design of our fixtures without prior notice. We cannot guarantee to match existing installed fixtures for subsequent orders or replacements in regards to product appearance, CCT, or lumen output.
8. Damage caused by misuse (including use for an unintended application) or improper or incorrect installation, maintenance or repair, including failure to follow the applicable care and cleaning instructions, is not covered by our warranty.

**ADVANCED PRODUCT SOLUTIONS (APS) & LAYOUT TEAM**

Have installation issues or a product and location inquiry? We have you covered. Our APS team can provide you with technical guidance and professionally designed landscape lighting layouts free of charge.

Visit [Kichler.com/APS](https://www.kichler.com/APS), reach out to us at [layouts@kichler.com](mailto:layouts@kichler.com), or by phone Monday - Friday, 8:00 am to 6:30 pm EST, at **844-KICHLER (844-542-4537)** to get started.

Visit [Kichler.com/Hardscape](https://www.kichler.com/Hardscape)