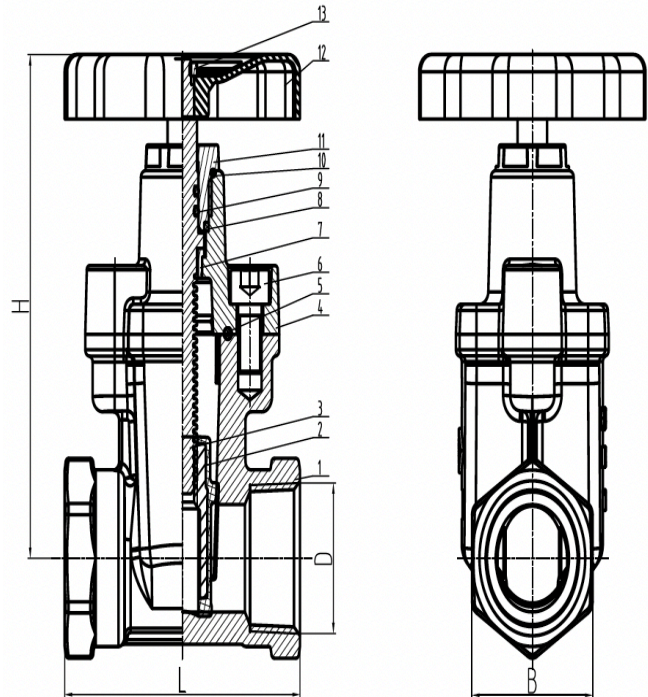


DUCTILE IRRIGATION GATE VALVE 9640TH

Material Specifications

PART NO.	PART	MATERIAL
1	Body	ASTM A536 , 65-45-12
2	Disc	ASTM A536 , 65-45-12+EPDM
3	Stem	SS420
4	Bonnt	ASTM A536 , 65-45-12
5	Sealing gasket	NBR
6	Bolt	ASTM 1045
7	Sleeve	Brass HPb59-1
8	Seal Ring	NBR
9	O-Ring	NBR
10	O-Ring	NBR
11	Plug	Brass HPb59-1
12	Handwheel	ASTM S36
13	Nut	Carbon steel



Notes

- Connection standard: ASME B1.20.1;
- Working Pressure: 250PSI
- Working temperature: 0 - 80 C;
- Coating:Fusion Bonded Epoxy Coating
Complies with ASNI/AWWA C550.

PART #	SIZE		DIMENSIONS(MM)			
	inch	mm	L (mm)	H (mm)	D	B (mm0
9640TH2	2"	15	65	86	2-14NPT	27
9640TH25	2 1/2"	20	70	96	2 1/2-14NPT	35
9640TH3	3"	25	80	116	3-11.5NPT	41
9640TH4	4"	32	90	127	4-11.5NPT	51
9640TH6	6"	40	100	150	6-11.5NPT	58.5
9640TH8	8"	50	110	170	8-11.5NPT	72